

Rabbit Hole

Technical sheet-1

Scene:

The scene of the play is basically made up of a 5*5 white floor on the center of the stage, a table and a couch, which all the other accessories are hidden inside them.

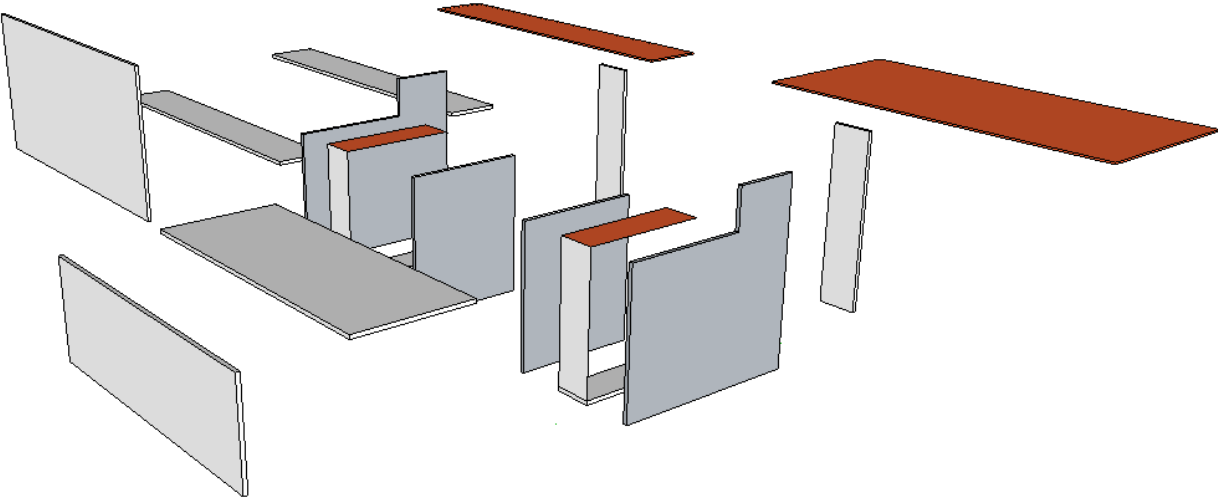
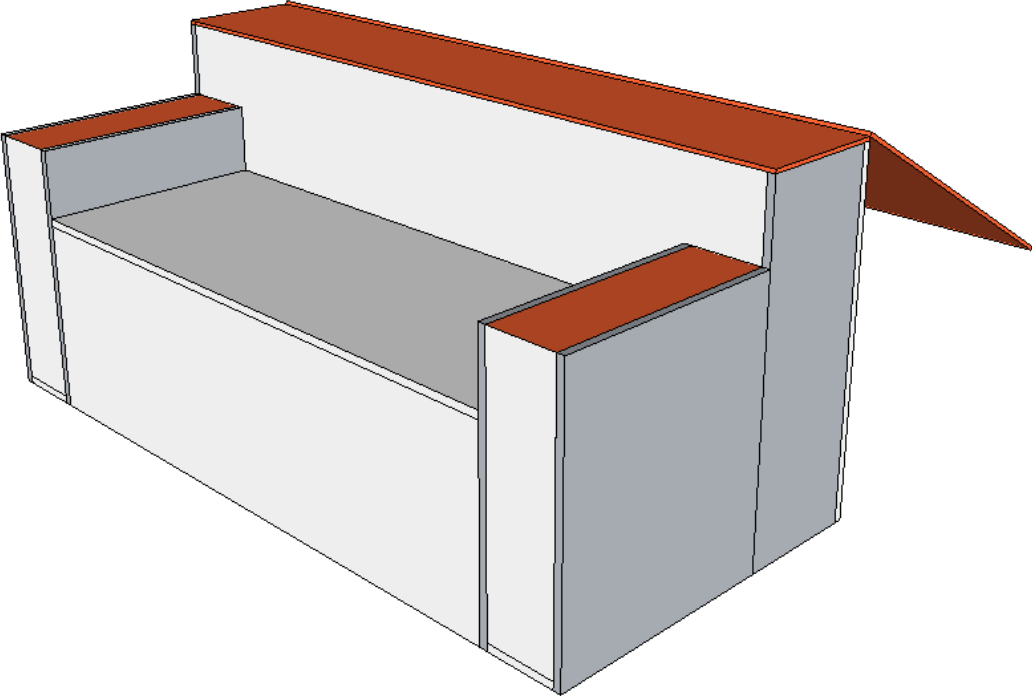
The table is mainly used as the kitchen and the couch is used instead of the living room and Dani's room. Each scene has specific lay out of the table and couch in the white square.



Photos of the Play:

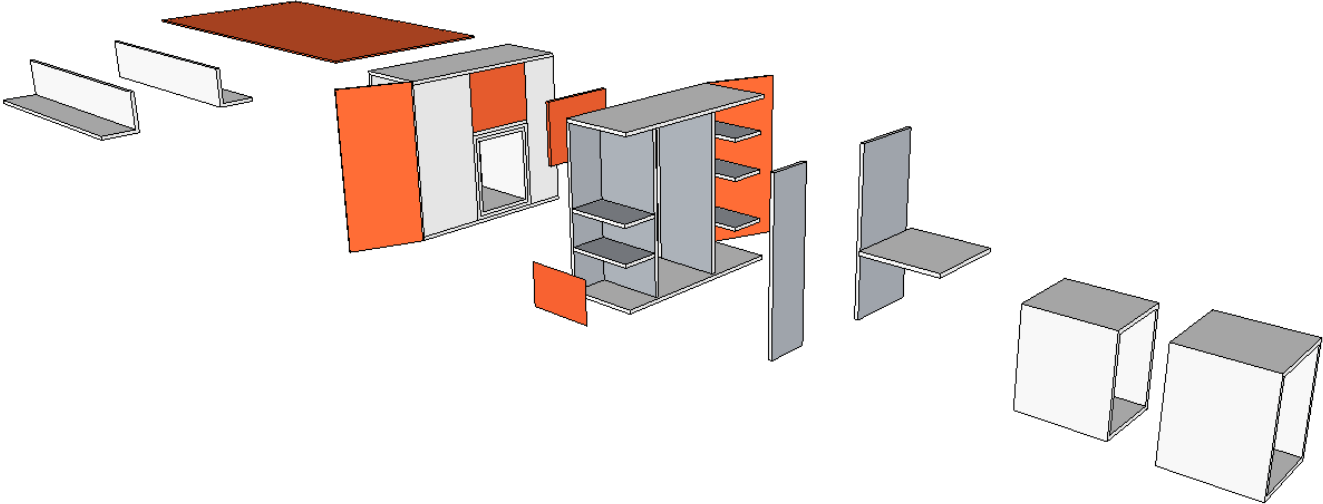
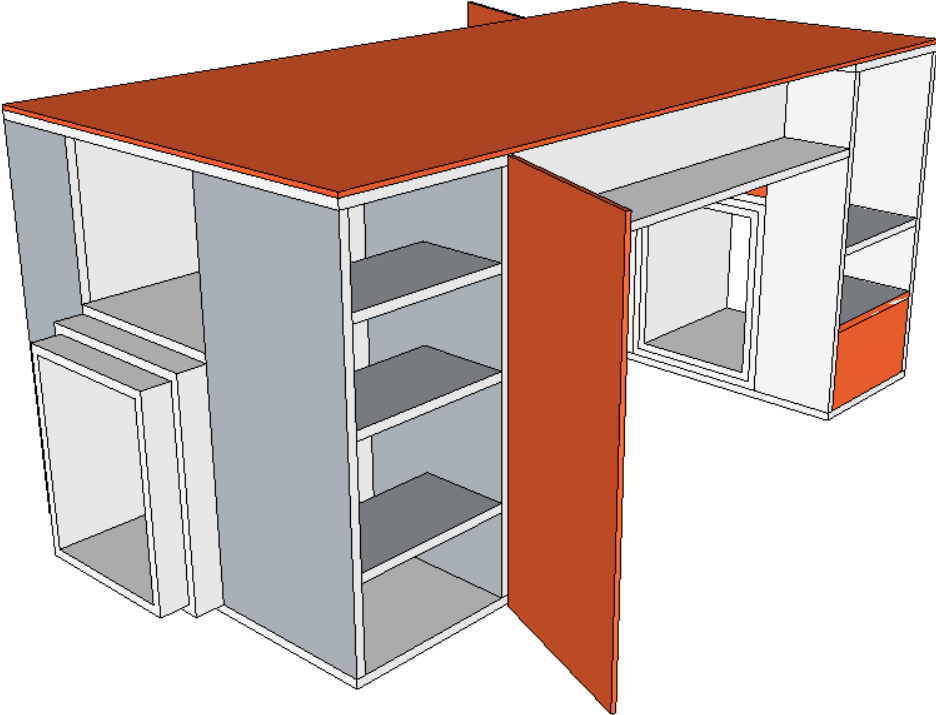


Couch:



Exploded MDF panels
gray: 16mm / orange: 8mm

Table:



Exploded MDF panels
gray: 16mm / orange: 8mm

Lighting:

- 4 projector on each corner will illuminate the main square.
- Front projectors will saturate the light on the square.
- A spot light is needed in the front , for Jaison's monologue.

